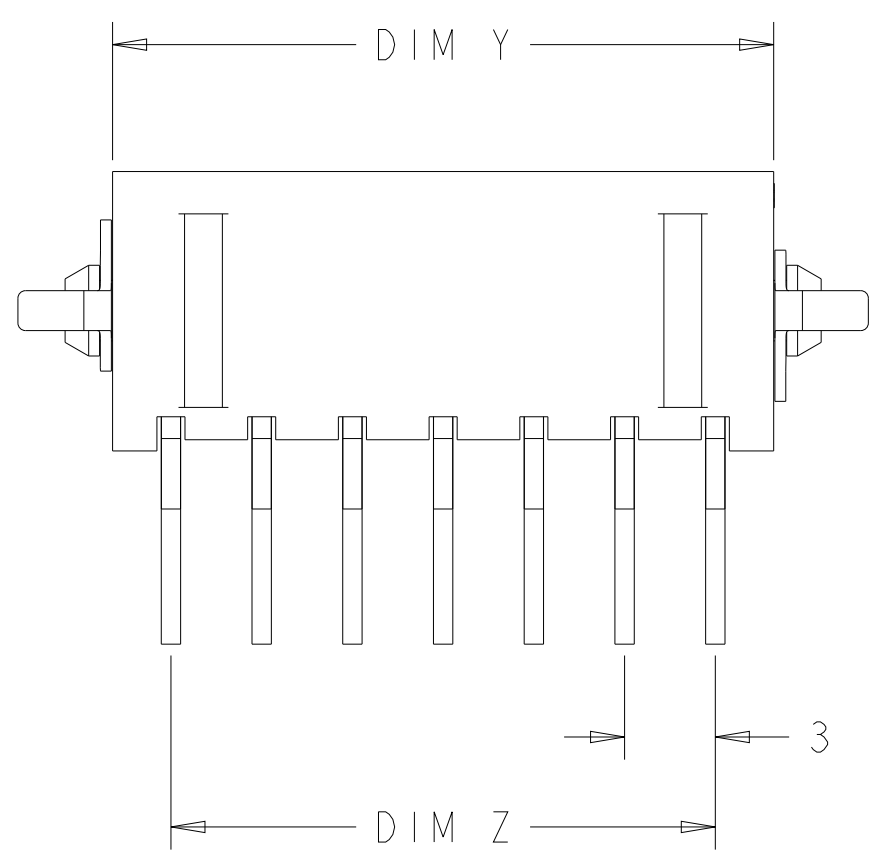
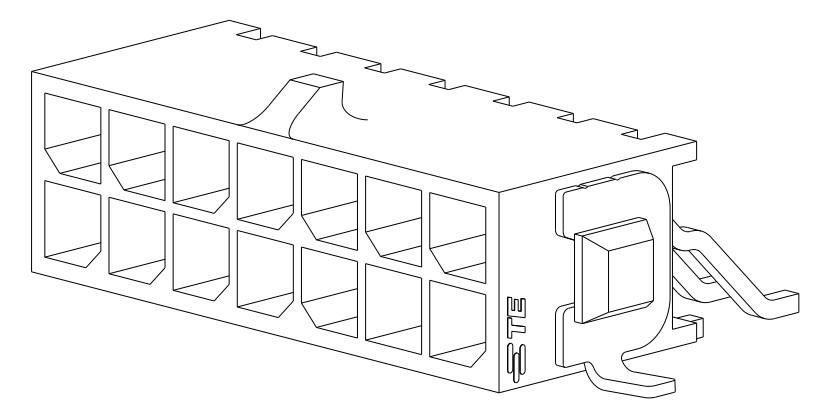
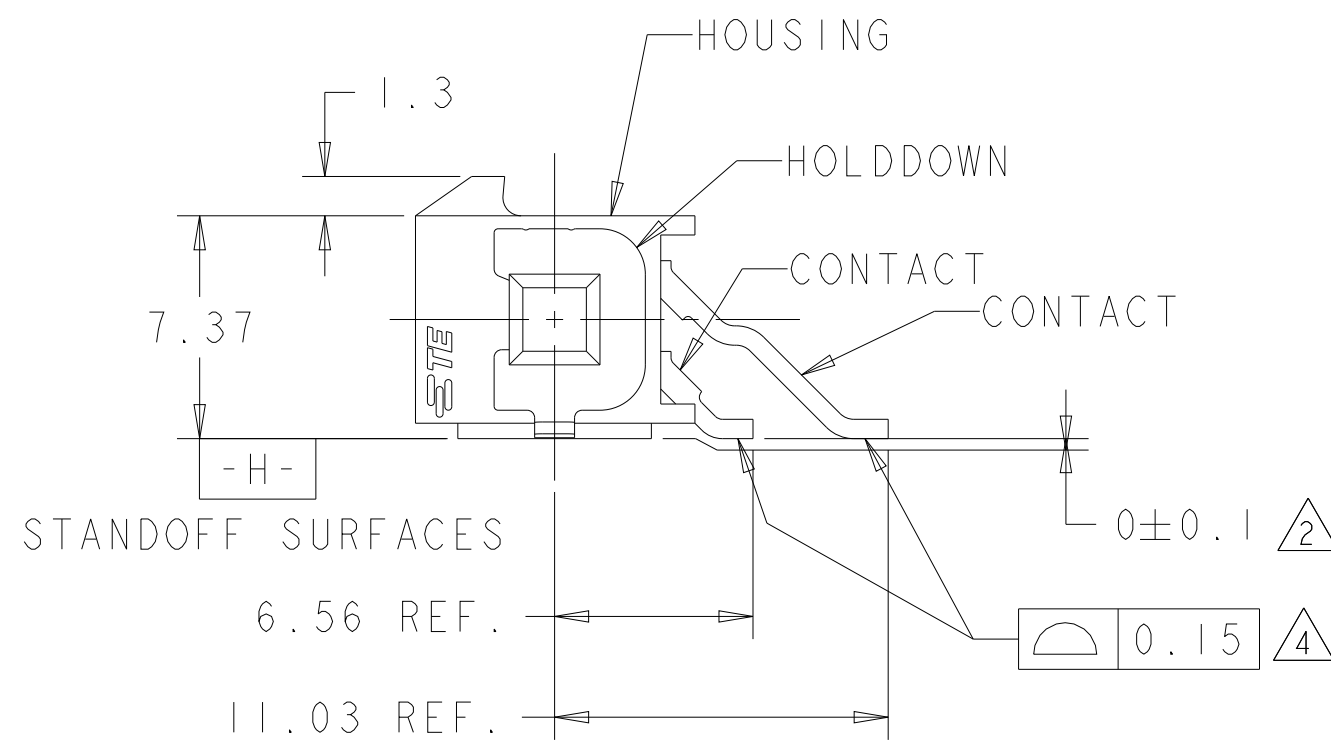
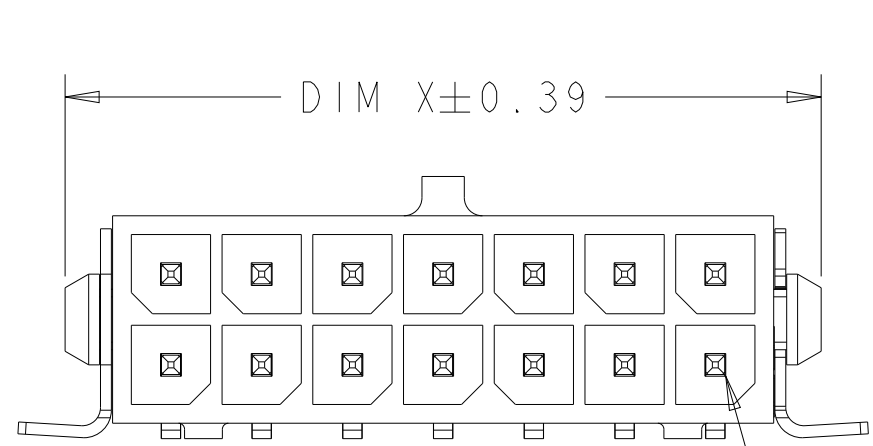


THIS DRAWING IS UNPUBLISHED. RELEASED FOR PUBLICATION 20
 © COPYRIGHT 20 BY - ALL RIGHTS RESERVED.

REVISIONS					
P	LTR	DESCRIPTION	DATE	DWN	APVD
J5		REVISED PER ECN-22-160768	23JUN2022	WLS	VS



CIRCUIT NUMBER 1

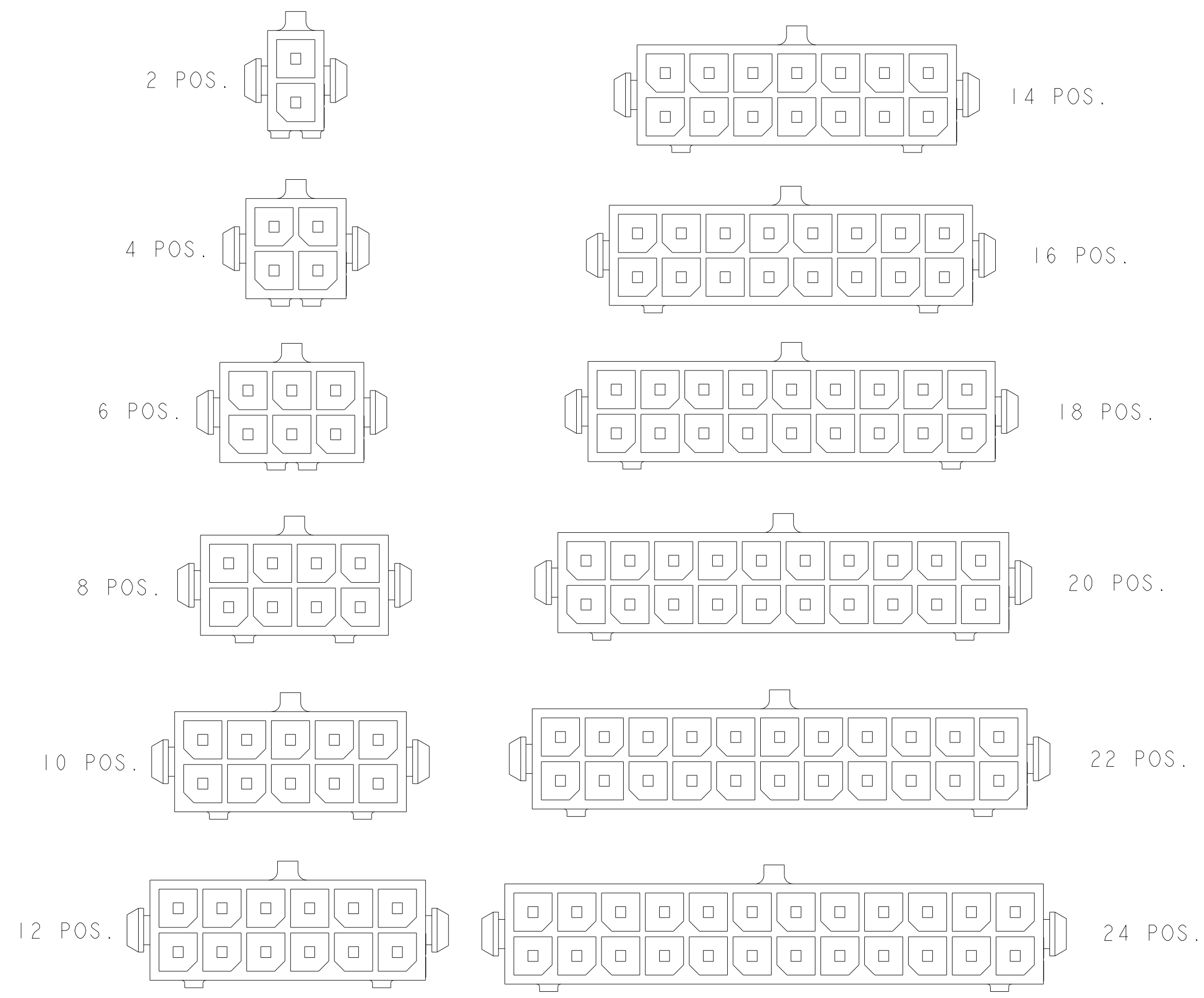
- 1 MATERIAL;
HOUSING - UL 94V-0 RATED HIGH TEMP NYLON, COLOR BLACK.
CONTACTS - BRASS.
HOLD DOWNS - PHOSPHOR BRONZE.
- 2 DIMENSION APPLIES TO SOLDERTAIL SURFACES AND STANDOFF SURFACES.
- 3 RECOMMENDED PC BOARD THICKNESS OF 1.57.
- 4 ALL SOLDERTAILS AND HOLD DOWNS.
- 5 FINISH;
CONTACTS - 2.54µm MINIMUM MATTE TIN OVER 1.27µm MINIMUM NICKEL.
HOLD DOWNS - 2.54µm MINIMUM MATTE TIN OVER 1.27µm MINIMUM NICKEL.
- 6 COUNTERPART RECOMMENDED IS PN 794617 (DASH ACCORDING TO NUMBER OF POSITION).
- 7 FOR REELING DIRECTION AND PACKAGING TYPE, SEE SPECIFICATION 114-13000.

36.86	40.27	33.00	40.00	24	5-794627-4
33.86	37.27	30.00	37.00	22	5-794627-2
30.86	34.27	27.00	34.00	20	5-794627-0
27.86	31.27	24.00	31.00	18	4-794627-8
24.86	28.27	21.00	28.00	16	4-794627-6
21.86	25.27	18.00	25.00	14	4-794627-4
18.86	22.27	15.00	22.00	12	4-794627-2
15.86	19.27	12.00	19.00	10	4-794627-0
12.86	16.27	9.00	16.00	8	3-794627-8
9.86	13.27	6.00	13.00	6	3-794627-6
6.86	10.27	3.00	10.00	4	3-794627-4
3.86	7.27	-	7.00	2	3-794627-2
DIM Y	DIM W	DIM Z	DIM X	NO. OF POSN.	ASSEMBLY

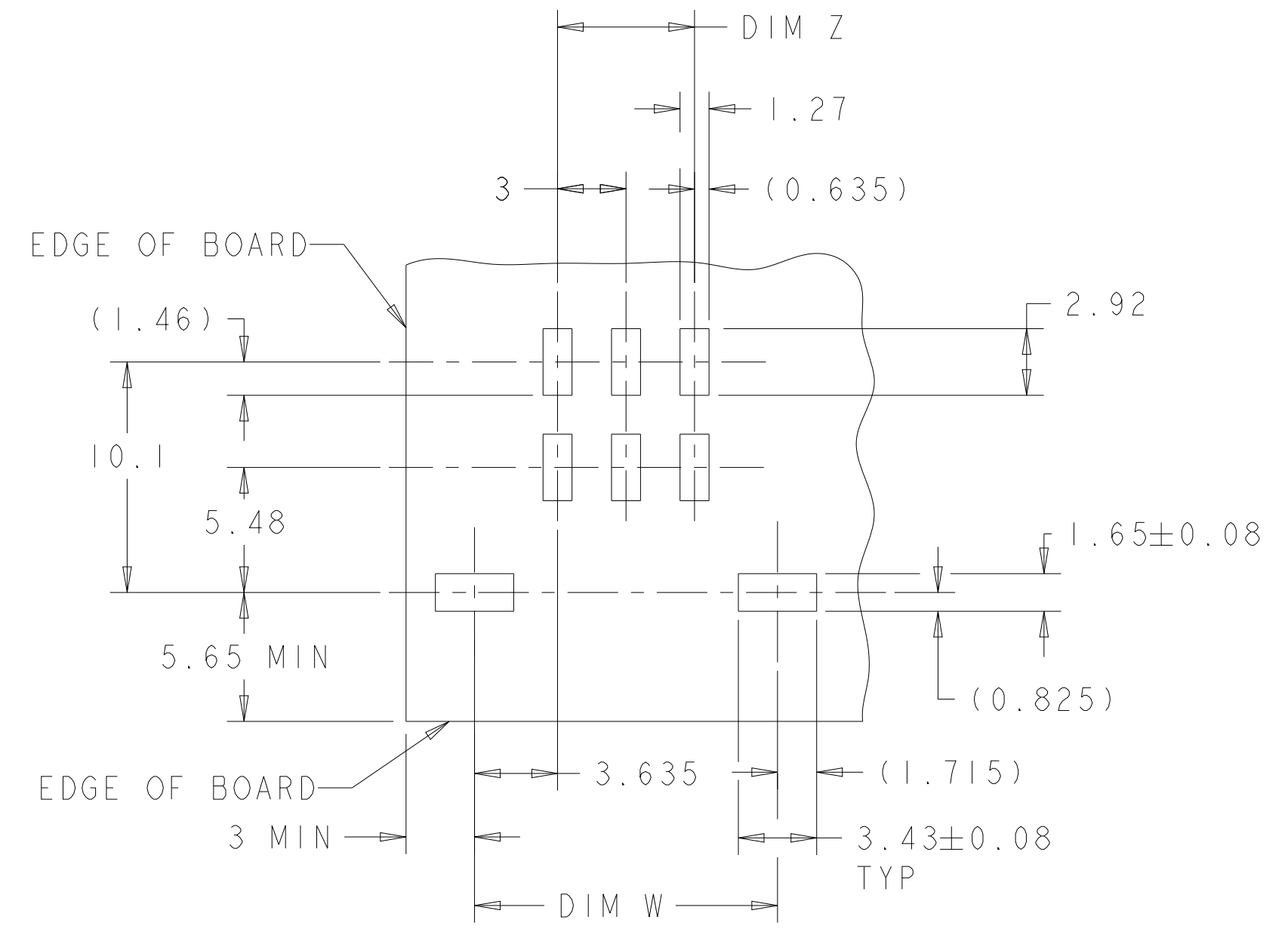
THIS DRAWING IS A CONTROLLED DOCUMENT.		DWN S. HOOVER 23-MAR-2005	TE Connectivity		
DIMENSIONS: mm		CHK C. JONES 23-MAR-2005			
TOLERANCES UNLESS OTHERWISE SPECIFIED:		APVD C. JONES 23-MAR-2005	NAME SURFACE MOUNT, RIGHT ANGLE, SURFACE MOUNT HOLD DOWN, ASSEMBLY, TIN HEADER, DUAL ROW, MICRO MATE-N-LOK (TM)		
0 PLC ±		PRODUCT SPEC 108-1836	SIZE A2	CAGE CODE 00779	DRAWING NO. C-794627
1 PLC ±		APPLICATION SPEC 114-13000	RESTRICTED TO -		
2 PLC ±0.20		WEIGHT -	SCALE 4:1 SHEET 1 OF 2 REV J5		
3 PLC ±		CUSTOMER DRAWING			
4 PLC ±					
ANGLES ±1°					
FINISH					

THIS DRAWING IS UNPUBLISHED. RELEASED FOR PUBLICATION 20
 © COPYRIGHT 20 BY - ALL RIGHTS RESERVED.


REVISIONS					
P	LTR	DESCRIPTION	DATE	DWN	APVD
-	-	SEE SHEET 1	-	-	-



KEYING BY POSITION SIZE



RECOMMENDED PCB LAYOUT (COMPONENT SIDE)

THIS DRAWING IS A CONTROLLED DOCUMENT.		DWN S. HOOVER 23-MAR-2005	 TE Connectivity	
DIMENSIONS: mm		CHK C. JONES 23-MAR-2005		
TOLERANCES UNLESS OTHERWISE SPECIFIED:		APVD C. JONES 23-MAR-2005	NAME SURFACE MOUNT, RIGHT ANGLE, SURFACE MOUNT HOLD DOWN, ASSEMBLY, TIN HEADER, DUAL ROW, MICRO MATE-N-LOK (TM)	
0 PLC ± 1 PLC ± 2 PLC ±0.20 3 PLC ± 4 PLC ± ANGLES ±1° FINISH		PRODUCT SPEC 108-1836	SIZE A200779	CAGE CODE C-794627
MATERIAL		APPLICATION SPEC 114-13000	DRAWING NO C-794627	RESTRICTED TO
-		WEIGHT	SCALE 4:1	SHEET 2 OF 2
-		CUSTOMER DRAWING	REV J5	