

REV.	DESCRIPTION	DRAWN	CHECKED	APPROVED
A	NEW RELEASE	HP 07/12/05'	~	LJC 07/12/05'
B	CHANGE THE DIM	YCH 08/17/13'	~	LJC 08/17/13'

TECHNICAL DATA

1. MATERIAL

- . Pin(Outer Sleeve): Brass,Machined,CuZn38Pb2
- . Clip(Contact 3/4/6 Finger): Copper alloy,Heat Treated

2. ELECTRICAL

- . Current Rating: 3A Per Pin max.
- . Contact Resistance:  $\leq 20m\Omega$ /Contact.

3. MECHANICAL

- . \*Average Insertion Force With Steel Pin of  $\phi 0.43mm/0.017''$ :  
4-Finger  $\leq 270g$ ,6-Finger  $\leq 120g$
- . \*Average Withdrawal Force With Steel Pin of  $\phi 0.50mm/0.020''$ :  
4-Finger  $\geq 25g$ ,6-Finger  $\geq 15g$
- . \*Mechanical Life: min 200 Cycles

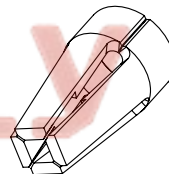
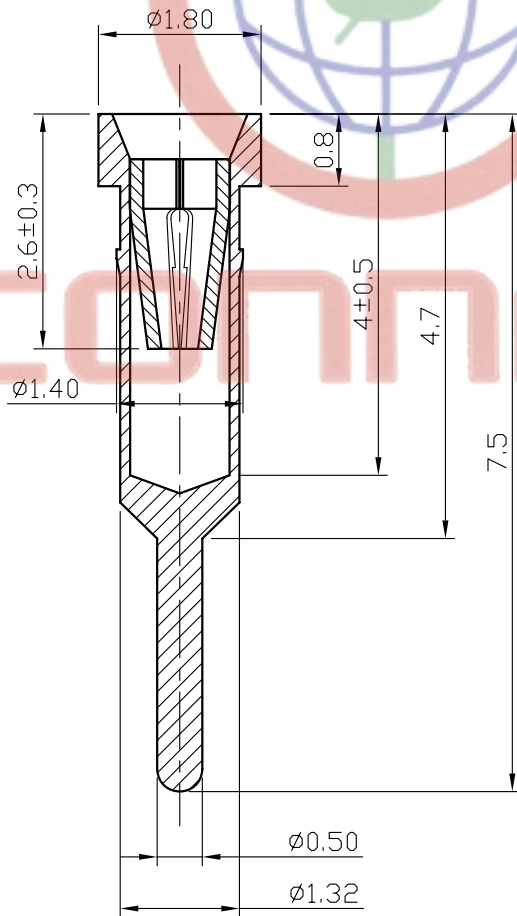
4. PRODUCT NUMBER CODE:

DS1005-09 - X X X

CLIP PLATED  
6: Full Tin  
8: Full Gold flash  
C: Full Gold 3u"  
A: Full Gold 10u"  
B: Full Gold 15u"

PIN PLATED  
6: Full Tin  
8: Full Gold flash  
C: Full Gold 3u"  
A: Full Gold 10u"  
B: Full Gold 15u"

CLIPS  
3: 3Finger  
4: 4Finger  
6: 6Finger  
SERIES NO  
DS1005-09



clip figure(4 fingers)

GENERAL TOLERANCE		ANGLE TOLERANCE		PROJECTION		TITLE	SOCKET TERMINALS 7.43mm	
X.	$\pm 0.20$	X.	$\pm 2'$	UNITS	mm	SERIES	DS1005-09	
.X	$\pm 0.10$	.X	$\pm 1'$	SHEET SIZE	A4			
.XX	$\pm 0.05$	.XX	$\pm 0.5'$					
DRAWING TYPE		CUSTOMER		晨翔电子有限公司 <b>CONNFLY CONNFLY ELECTRONIC CO., LTD</b>				
SCALE	1:1	SHEET	1 OF 1					
DRAWING NO.	C-DS1005-09-XXX-B							

Tel:86-574-63508787  
 Fax:86-574-63510817  
 E-mail:sale@zhenqin.com.cn  
 Http://www.connfly.com.cn  
 Add:East Industry Zone KuangYan  
 Town Ciminling China