

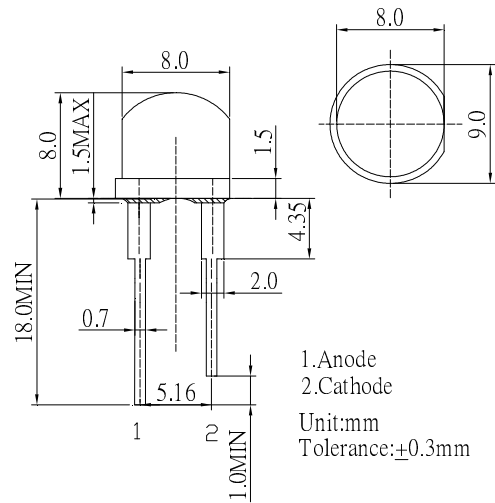
■Features

- High Lumen Flux
- 8mm Straw Standard Directivity
- Long Lifetime Operation
- Superior UV Resistance
- Water Clear Type

■Applications

- Electronic Signs And Signals
- Small Area Illuminations
- Back Lighting
- Other Lighting
- Bollards / Security / Garden
- Traffic Signaling / Beacons

■Outline Dimension



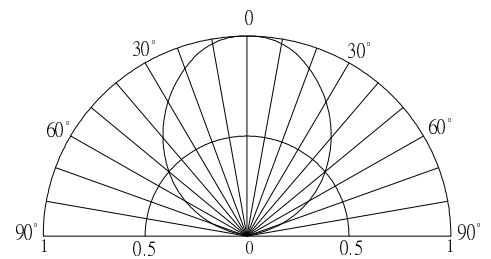
■Absolute Maximum Rating

(Ta=25°C)

Item	Symbol	Value		Unit
		W/M/B/G	R/Y	
DC Forward Current	I _F	130	130	mA
Pulse Forward Current#	I _{FP}	200	200	mA
Reverse Voltage	V _R	5	5	V
Power Dissipation	P _D	494	364	mW
Operating Temperature	Topr	-40 ~ +85		°C
Storage Temperature	Tstg	-40~ +85		°C
Lead Soldering Temperature	Tsol	260°C/5sec		-

#Pulse width Max 0.1ms, Duty ratio max 1/10

■Directivity



■Electrical -Optical Characteristics

(Ta=25°C)

Part Number	Color		V _F (V)*			I _R (μA)	Φv(lm)*			λD(nm)*			2θ1/2(deg)
			Min.	Typ.	Max.	Max.	Min.	Typ.	Max.	Min.	Typ.	Max.	Typ.
			I _F =120mA			V _R =5V	I _F =120mA						
OSW4XA87A1U	White	W	2.9	3.3	3.8	10	20	30	-	X=0.31, Y=0.33			100
OSM5XA87A1U	Warm White	M	2.9	3.3	3.8	10	16	25		X=0.45, Y=0.41			100
OSB4XA87A1U	Blue	B	2.9	3.3	3.8	10	5	7	-	455	460	465	100
OSG5XA87A1U	Pure Green	G	2.9	3.3	3.8	10	18	26	-	520	525	530	100
OSY5XA87A1U	Yellow	Y	1.9	2.3	2.8	10	14	18	-	585	590	595	100
OSR5XA87A1U	Red	R	1.9	2.2	2.8	10	14	18	-	620	625	630	100

*1 Tolerance of measurements of chromaticity coordinate is ±10%

*2 Tolerance of measurements of dominant wavelength is ±1nm

*3 Tolerance of measurements of luminous intensity is ±15%

*4 Tolerance of measurements of forward voltage is ±0.1V