

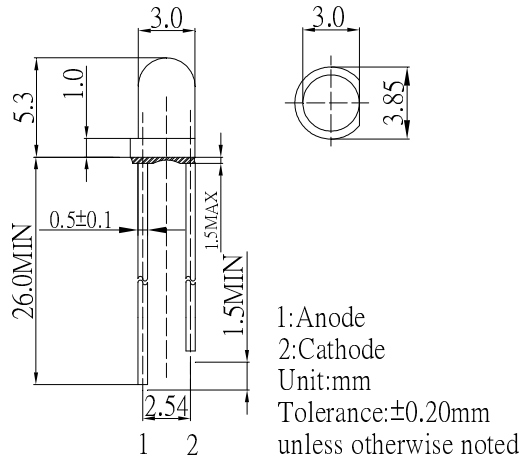
■ Features

- High Luminous LEDs
- Low Power Consumption
- UV Resistant Epoxy
- Specified at IF = 1 mA
- Color Diffused Type(W/M:White Diffused)

■ Applications

- Background illumination
- Communications equipment
- Low power DC circuits
- General lighting purposes

■ Outline Dimension

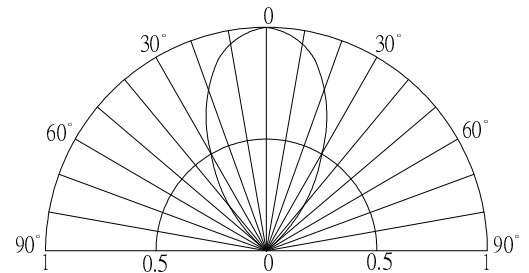


■ Absolute Maximum Rating

(Ta=25°C)

| Item | Symbol | Value | | Unit |
|----------------------------|--------|------------|-------|------|
| | | W/M/B/PG | Y/O/R | |
| DC Forward Current | IF | 30 | 30 | mA |
| Pulse Forward Current# | IFP | 100 | 100 | mA |
| Reverse Voltage | VR | 5 | 5 | V |
| Power Dissipation | PD | 102 | 66 | mW |
| Operating Temperature | Topr | -30 ~ +85 | | °C |
| Storage Temperature | Tstg | -40~ +100 | | °C |
| Lead Soldering Temperature | Tsol | 260°C/5sec | | - |

■ Directivity



#Pulse width Max.10ms Duty ratio max 1/10

■ Electrical -Optical Characteristics

(Ta=25°C)

| Part Number | Color | | | VF (V) | | | IR(μA) | IV(mcd) | | | λD(nm) | | | θ1/2(deg) |
|-----------------|------------|----|---|--------|------|------|--------|---------|------|------|----------------------------|------|------|-----------|
| | | | | Min. | Typ. | Max. | Max. | Min. | Typ. | Max. | Min. | Typ. | Max. | Typ. |
| | | | | IF=1mA | | | VR=5V | IF=1mA | | | | | | |
| OSW54K3162A-1MA | White | W | | - | 2.8 | 3.4 | 10 | 330 | 500 | - | 8500-18000K(X:0.27,Y:0.28) | | | 60 |
| OSM54K3162A-1MA | Warm White | M | ■ | - | 2.8 | 3.4 | 10 | 220 | 330 | - | 2700-3200K(X:0.45,Y:0.41) | | | 60 |
| OSB5DA3164A-1MA | Blue | B | ■ | - | 2.8 | 3.4 | 10 | 150 | 220 | - | 465 | 470 | 475 | 60 |
| OSG58A3164A-1MA | Pure Green | PG | ■ | - | 2.8 | 3.4 | 10 | 330 | 500 | - | 520 | 525 | 530 | 60 |
| OSY5PA3164A-1MA | Yellow | Y | ■ | - | 1.8 | 2.2 | 10 | 150 | 220 | - | 585 | 590 | 595 | 60 |
| OSO5PA3164A-1MA | Orange | O | ■ | - | 1.8 | 2.2 | 10 | 150 | 220 | - | 600 | 605 | 610 | 60 |
| OSR5PA3164A-1MA | Red | R | ■ | - | 1.8 | 2.2 | 10 | 150 | 220 | - | 620 | 625 | 630 | 60 |

*1 Tolerance of measurements of chromaticity coordinate is ±10% *2 Tolerance of measurements of dominant wavelength is ±1nm

*3 Tolerance of measurements of luminous intensity is ±15% *4 Tolerance of measurements of forward voltage is ±0.1V

LED & Application Technologies

