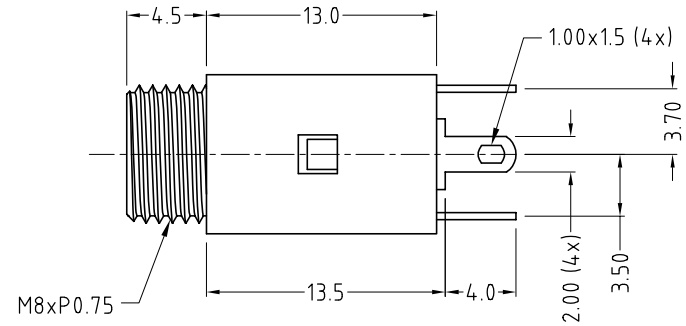
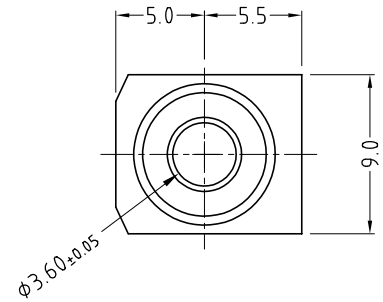
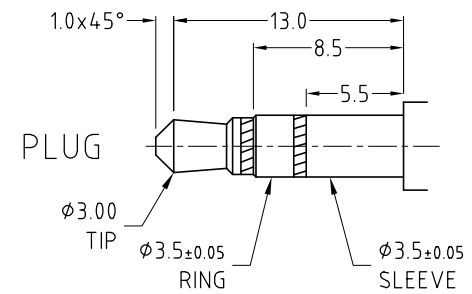
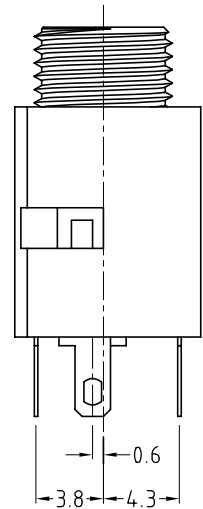


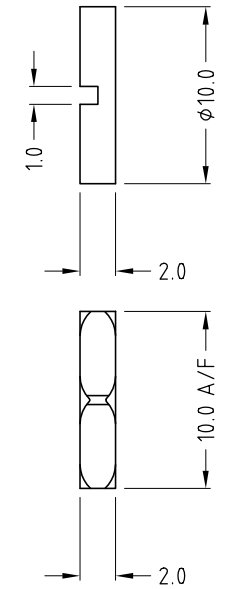
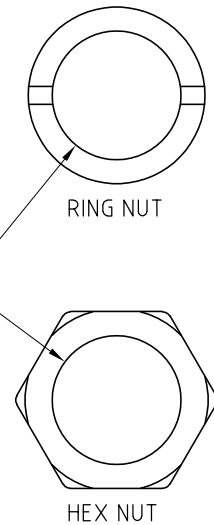
ISS.	AMEND	DATE
1		09/11/15
2	ISSUED UPDATED	13/08/21



PART No.	NUT
FC681375V	SLOTTED RING
FC681375VH	HEX NUT

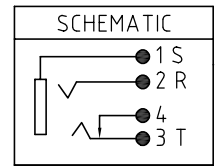
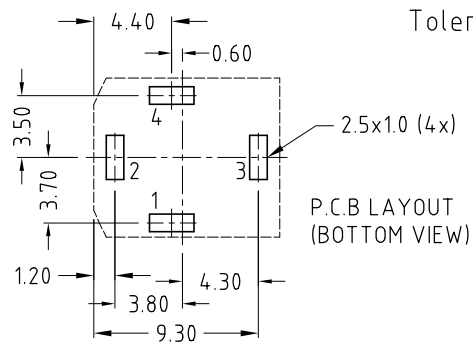


M8xP0.75  
ALL NUTS SUPPLIED  
UNASSEMBLED,  
BULK PACKED.



**SPECIFICATIONS**

Contact Resistance: 30mΩ max  
 Insulation Resistance: 100MΩ min at DC 500V  
 Dielectric Withstanding Voltage: AC 500V for 1 minute  
 Tolerance: ±0.30 unless otherwise specified



ITEM	DESCRIPTION	MATERIAL	FINISH	QTY
1	SLEEVE CONTACT	PHOSPHOR BRONZE	SILVER	1
2	RING CONTACT	PHOSPHOR BRONZE	SILVER	1
3	TIP CONTACT	PHOSPHOR BRONZE	SILVER	1
4	BREAK CONTACT	BRONZE	SILVER	1
5	NUT (RING / HEX)	BRASS	NICKEL	1
6	HOUSING	PBT	BLACK	1

**RoHS**  
COMPLIANT

**TOLERANCE**  
 NO DEC. PLACE ±  
 1 DEC. PLACE ±  
 2 DEC. PLACE ±  
 HOLE Ø ±  
 ANGLES ±  
 UNLESS OTHERWISE STATED

**Cliff Electronic Components Ltd.**  
 76 Holmehorpe Avenue, Holmehorpe Industrial Estate,  
 Redhill, Surrey, RH1 2PF, England, UK  
 Tel: 01737-771375 Fax: 01737-766012 Website: www.cliffuk.co.uk

DIMENSIONS IN MILLIMETERS UNLESS OTHERWISE STATED. WORK TO DIMENSIONS. REMOVE ALL BURRS. IF IN DOUBT ASK.

ANGLE PROJECTION:

MATERIAL: SEE TABLE  
 FINISH: CLEAN

TITLE: 3.5mm VERTICAL PCB JACK WITH NUT

THE CONTENTS OF THIS DOCUMENT MUST NOT BE COPIED OR DISCLOSED TO A 3rd PARTY WITHOUT WRITTEN PERMISSION OF CLIFF UK. © 2015

DRAWN: T.J.O.

APPROVED: D.P.J.

DRWG. No. **FC681375V**

FORM: A4DRWGH

DO NOT SCALE